

## Spoked handwheels

### Technopolymer

#### MATERIAL

High-resilience polypropylene based (PP) technopolymer, black colour, matte finish.

#### BOSS-CAP

- Anodised aluminium self-adhesive front plate.
- VRTP: 375: cover in polyester based technopolymer (PBT), RAL 7035 grey colour, glossy finish, press-fit assembly.

#### STANDARD EXECUTIONS

Black-oxide steel boss, H7 reamed hole.

- **VRTP:** without handle.
- **VRTP+I:** with revolving handle I.621+x (see page ) in technopolymer.
- **VRTP+IEL:** with revolving handle IEL+x SOFT (see page ) in technopolymer coated with "Soft-touch" thermoplastic elastomer (TPE).
- **VRTP+IR:** with fold-away handle IR.620 (see page ) in technopolymer.
- **K:** index for executions with hole and keyway in compliance with DIN 6885/1 (see page A16), tolerance P9 i.e.: 78411-R-K VRTP.80 A-8-K

#### ACCESSORIES ON REQUEST

- GN 184: axial retaining washer in black-oxide steel (see page ).
- ECB.T: glass-fibre reinforced polyamide based (PA) technopolymer boss cap, in Elecolors colours, matte finish, press-fit assembly, available for VRTP.125, VRTP.160 and VRTP.200 (see table).



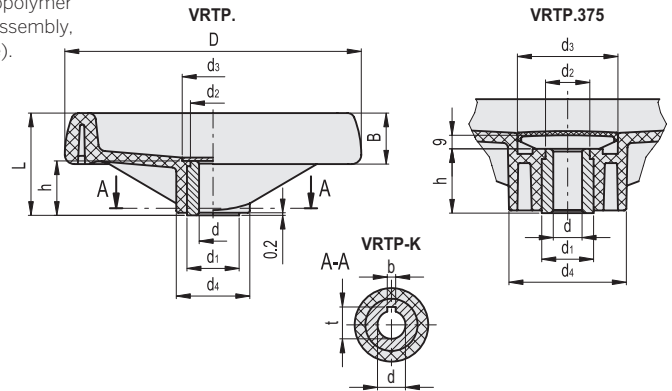
ELESA Original design 1 9 9 5 stuttgart



#### ECB.T

Code	Description	Boss cap for
29552-*	ECB.T2-*	VRTP.125
29553-*	ECB.T3-*	VRTP.160
29554-*	ECB.T4-*	VRTP.200

\* Complete with colour index (C1, ..., C6).



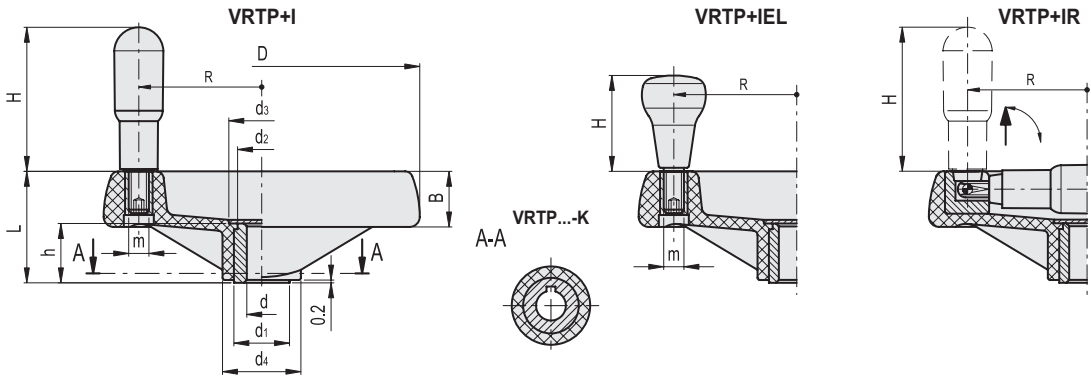
#### VRTP.

Code	Description	D	dH7	L	B	d1	d2	d3	d4	h	C# [Nm]	L# [J]	⚖
78411-R	VRTP.80-A8	80	8	35	18	18	16	20.5	25	17	32	5	74
78412-R	VRTP.80-A10	80	10	35	18	18	16	20.5	25	17	32	5	70
78510-R	VRTP.100-A8	99	8	37	20	18	16	20.5	25.5	17	54	7	105
78511-R	VRTP.100-A10	99	10	37	20	18	16	20.5	25.5	17	54	7	100
78512-R	VRTP.100-A12	99	12	37	20	18	16	20.5	25.5	17	54	7	95
78610-R	VRTP.125-A8	125	8	44	22	22	20	26	31	22	94	10	165
78611-R	VRTP.125-A12	125	12	44	22	22	20	26	31	22	94	10	160
78612-R	VRTP.125-A14	125	14	44	22	22	20	26	31	22	94	10	155
78710-R	VRTP.160-A8	160	8	51	25	26	24	32	40	27	185	15	282
78711-R	VRTP.160-A14	160	14	51	25	26	24	32	40	27	185	15	275
78712-R	VRTP.160-A16	160	16	51	25	26	24	32	40	27	185	15	263
78810-R	VRTP.200-A8	200	8	61	28	30	28	36	48.5	34	300	24	490
78811-R	VRTP.200-A16	200	16	61	28	30	28	36	48.5	34	300	24	460
78813-R	VRTP.200-A20	200	20	61	28	30	28	36	48.5	34	300	24	430
78911-R	VRTP.250-A20	250	20	69	32	35	33	45	58	38	420	28	730
78913-R	VRTP.250-A24	250	24	69	32	35	33	45	58	38	420	28	710
78948-R	VRTP.300-A20	300	20	78	35.5	40	37	52	66	43	480	36	940
78951-R	VRTP.300-A26	300	26	78	35.5	40	37	52	66	43	480	36	970
79011-R	VRTP.375-A26	375	26	87	39	35	33	70	81	43	380	55	1350

\* To order the execution with hole and keyway add the index -K after the code and description (i.e. 78411-R-K VRTP.80 A-8-K).

# For maximum torque (C) and impact strength (L) see Technical Data on page A3.





VRTP+I

Code	Description	D	dH7	L	B	d1	d2	d3	d4	h	H	m	R	C# [Nm]	L# [J]	⚖️
78421-R	VRTP.80+I-A8	80	8	35	18	18	16	20.5	25	17	45	M6	29	32	5	104
78422-R	VRTP.80+I-A10	80	10	35	18	18	16	20.5	25	17	45	M6	29	32	5	100
78520-R	VRTP.100+I-A8	99	8	37	20	18	16	20.5	25.5	17	60	M6	37	54	7	150
78521-R	VRTP.100+I-A10	99	10	37	20	18	16	20.5	25.5	17	60	M6	37	54	7	145
78522-R	VRTP.100+I-A12	99	12	37	20	18	16	20.5	25.5	17	60	M6	37	54	7	140
78620-R	VRTP.125+I-A8	125	8	44	22	22	20	26	31	22	65	M8	48	94	10	250
78621-R	VRTP.125+I-A12	125	12	44	22	22	20	26	31	22	65	M8	48	94	10	245
78622-R	VRTP.125+I-A14	125	14	44	22	22	20	26	31	22	65	M8	48	94	10	240
78720-R	VRTP.160+I-A8	160	8	51	25	26	24	32	40	27	73	M8	65	185	15	363
78721-R	VRTP.160+I-A14	160	14	51	25	26	24	32	40	27	73	M8	65	185	15	356
78722-R	VRTP.160+I-A16	160	16	51	25	26	24	32	40	27	73	M8	65	185	15	339
78820-R	VRTP.200+I-A8	200	8	61	28	30	28	36	48.5	34	80	M8	84	300	24	579
78821-R	VRTP.200+I-A16	200	16	61	28	30	28	36	48.5	34	80	M8	84	300	24	552
78823-R	VRTP.200+I-A20	200	20	61	28	30	28	36	48.5	34	80	M8	84	300	24	525
78921-R	VRTP.250+I-A20	250	20	69	32	35	33	45	58	38	90	M10	103	420	28	904
78923-R	VRTP.250+I-A24	250	24	69	32	35	33	45	58	38	90	M10	103	420	28	888
78958-R	VRTP.300+I-A20	300	20	78	35.5	40	37	52	66	43	90	M10	127	480	36	1050
78961-R	VRTP.300+I-A26	300	26	78	35.5	40	37	52	66	43	90	M10	123	480	36	1111
79021-R	VRTP.375+I-A26	375	26	87	39	35	33	70	81	43	90	M10	160	380	55	1240

VRTP+IEL

78926-R	VRTP.250+IEL-A20	250	20	69	32	35	33	45	58	38	65	M10	103	420	28	914
78928-R	VRTP.250+IEL-A24	250	24	69	32	35	33	45	58	38	65	M10	103	420	28	818
78964-R	VRTP.300+IEL-A20	300	20	78	35.5	40	37	52	66	43	65	M10	127	480	36	1060
78966-R	VRTP.300+IEL-A26	300	26	78	35.5	40	37	52	66	43	65	M10	127	480	36	1121
79026-R	VRTP.375+IEL-A26	375	26	87	39	35	33	70	81	43	65	M10	160	380	55	1260

VRTP+IR

Code	Description	D	dH7	L	B	d1	d2	d3	d4	h	H	R	C# [Nm]	L# [J]	⚖️
78431-R	VRTP.80+IR-A8	80	8	35	18	18	16	20.5	25	17	45	29	32	5	102
78432-R	VRTP.80+IR-A10	80	10	35	18	18	16	20.5	25	17	45	29	32	5	98
78530-R	VRTP.100+IR-A8	99	8	37	20	18	16	20.5	25.5	17	60	37	54	7	170
78531-R	VRTP.100+IR-A10	99	10	37	20	18	16	20.5	25.5	17	60	37	54	7	163
78532-R	VRTP.100+IR-A12	99	12	37	20	18	16	20.5	25.5	17	60	37	54	7	155
78630-R	VRTP.125+IR-A8	125	8	44	22	22	20	26	31	22	65	48	94	10	235
78631-R	VRTP.125+IR-A12	125	12	44	22	22	20	26	31	22	65	48	94	10	230
78632-R	VRTP.125+IR-A14	125	14	44	22	22	20	26	31	22	65	48	94	10	225
78730-R	VRTP.160+IR-A8	160	8	51	25	26	24	32	40	27	73	65	185	15	395
78731-R	VRTP.160+IR-A14	160	14	51	25	26	24	32	40	27	73	65	185	15	388
78732-R	VRTP.160+IR-A16	160	16	51	25	26	24	32	40	27	73	65	185	15	380
78830-R	VRTP.200+IR-A8	200	8	61	28	30	28	36	48.5	34	80	84	300	24	625
78831-R	VRTP.200+IR-A16	200	16	61	28	30	28	36	48.5	34	80	84	300	24	593
78833-R	VRTP.200+IR-A20	200	20	61	28	30	28	36	48.5	34	80	84	300	24	560
78931-R	VRTP.250+IR-A20	250	20	69	32	35	33	45	58	38	90	105	420	28	932
78933-R	VRTP.250+IR-A24	250	24	69	32	35	33	45	58	38	90	105	420	28	892
78968-R	VRTP.300+IR-A20	300	20	78	35.5	40	37	52	66	43	90	123	480	36	1080
78971-R	VRTP.300+IR-A26	300	26	78	35.5	40	37	52	66	43	90	123	480	36	1210
79031-R	VRTP.375+IR-A26	375	26	87	39	35	33	70	81	43	90	160	380	55	1350

\* To order the execution with hole and keyway add the index -K after the code and description (i.e. 78411-R-K VRTP.80 A-8-K).

# For maximum torque (C) and impact strength (L) see Technical Data on page A3.

